

Pulze Bar

SHWSTR100



The Pulze Bar is a high output linear strobe designed for a large range of applications. 384 RGB LEDs deliver a uniform wash and can be divided into 24 segments, creating impressive dynamic effects and eye candy. Paired with 360 White LEDs at the centre of the fixture, the Pulze Bar is more than capable as a strobe. An electronic frost can be activated to diffuse the output, allowing for looks with visible pixels or a smooth blended face. Housed in a sturdy IP65 body, the Pulze Bar is suitable for outdoor use, and the integrated mounting options make it easy to connect multiple fixtures without spending excessive time on alignment.



SYDNEY

+61 2 9748 1122

MELBOURNE

+61 3 9681 7511

PERTH

+61 8 9248 8119

BRISBANE

+61 7 3267 3177

AUCKLAND

+64 9 869 3293

SHOW
TECHNOLOGY

Pulze Bar Specifications

Optical System

Lamp Source	360x1W White + 384x0.5W RGB LED
Beam Angle	52°

Electrical Specifications

Voltage	100 – 240V AC 50/60Hz
Max Power	325W
Power Connection	True1 In/Out
Signal Connection	5pin DMX In/Out

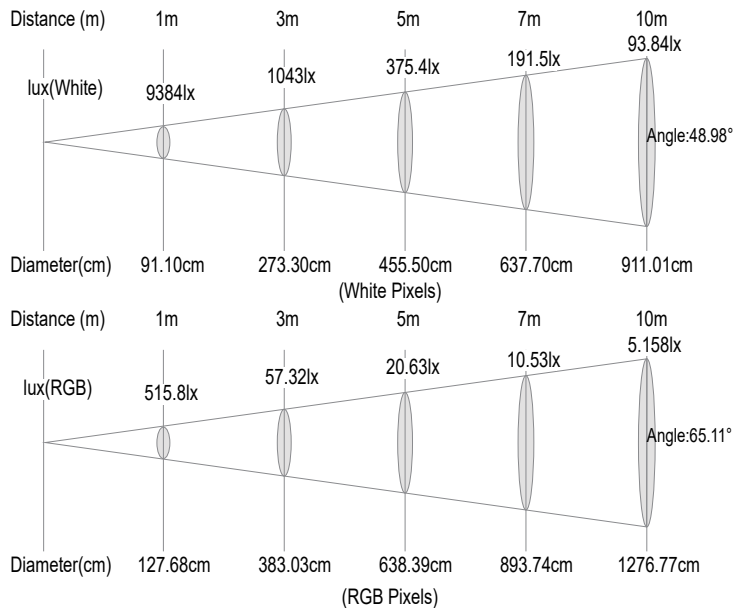
Work Environment

Ambient Temperature	-10 to 40°C
IP Rating	IP65

Segment Control

10 CH											
RGB											
W											
RGB											
22 CH											
RGB1-6			RGB7-12								
W1-6			W7-12								
RGB13-18			RGB19-24								
36 CH											
RGB1-3		RGB4-6		RGB7-9		RGB10-12					
W1-3		W4-6		W7-9		W10-12					
RGB13-15		RGB16-18		RGB19-21		RGB22-24					
50 CH											
RGB1-2	RGB3-4	RGB5-6		RGB7-8		RGB9-10		RGB11-12			
W1-2	W3-4	W5-6		W7-8		W9-10		W11-12			
RGB13-14	RGB15-16	RGB17-18		RGB19-20		RGB21-22		RGB23-24			
92 CH											
RGB1	RGB2	RGB3	RGB4	RGB5	RGB6	RGB7	RGB8	RGB9	RGB10	RGB11	RGB12
W1	W2	W3	W4	W5	W6	W7	W8	W9	W10	W11	W12
RGB24	RGB23	RGB22	RGB21	RGB20	RGB19	RGB18	RGB17	RGB16	RGB15	RGB14	RGB13

Photometrics



Effects

Frost	Electronic frost
Strobe	0-16Hz
Pixel Control	Segmented
Tilt	Manual

Control System

Dimmer	0 to 100%
Control	DMX512, RDM
Display	TFT Display
Personality	3/10/22/36/50/92ch
Cooling	Passive cooling

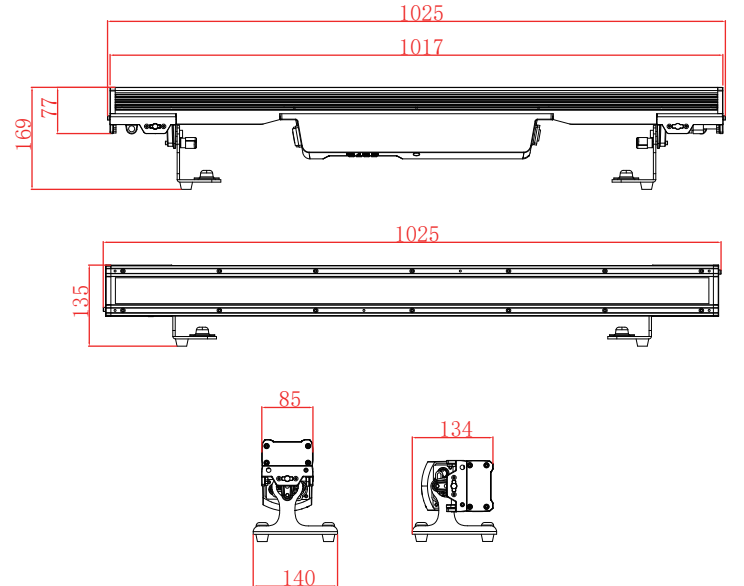
Appearance

Size (LWH)	1025 x 140 x 169mm
Weight	9.5kg
Casing	Aluminum body
Colour	Black

Included Accessories

2x Omega Bracket
PSHCAB110 2m TrueCon Piggy Back

Dimensions



SYDNEY
+61 2 9748 1122

MELBOURNE
+61 3 9681 7511

PERTH
+61 8 9248 8119

BRISBANE
+61 7 3267 3177

AUCKLAND
+64 9 869 3293

